

**CITY OF RED BUD, ILLINOIS  
APPLICATION FOR ELECTRIC SERVICE  
(Section 74-4 of City Code)**

Approximate Date of Installation \_\_\_\_\_  
No. \_\_\_\_\_  
Date \_\_\_\_\_

NAME \_\_\_\_\_  
ADDRESS \_\_\_\_\_  
SUBDIVISION \_\_\_\_\_ LOT # \_\_\_\_\_  
Phone # \_\_\_\_\_

Hereby applies for a connection with the Electric System of the City of Red Bud, IL and remits a connection fee of \$\_\_\_\_\_ the receipt of which is hereby acknowledged.

Fee – Standard 120/240-Volt Single-Phase 3 Wire Service:

- |  |                                     |
|--|-------------------------------------|
| 200 AMP OH Tap                                 | \$1,600.00 <input type="checkbox"/> |
| 200 AMP URD Tap                                | \$1,600.00 <input type="checkbox"/> |
| 300 AMP URD Tap                                | \$2,450.00 <input type="checkbox"/> |
| 300 AMP OH Tap                                 | \$2,450.00 <input type="checkbox"/> |
| 400 AMP OH Tap/OH Service Area                 | \$3,100.00 <input type="checkbox"/> |
| 400 AMP URD Tap/URD Service Area               | \$3,100.00 <input type="checkbox"/> |
| 400 AMP URD Tap/OH Service Area-- New          | \$3,100.00 <input type="checkbox"/> |
| Installation of 200 AMP meter base and breaker | \$1,750.00 <input type="checkbox"/> |
| Temporary service 120/240V 3-wire              | \$ 50.00 <input type="checkbox"/>   |

- Non-standard service – description \_\_\_\_\_  
 Request to upgrade electric service – To be billed at the City's cost plus 10% on materials.

It is understood that there will be no additional charge for the installation of the service line wire (up to 100 feet, \$3.00 per foot over 100 feet—Sect. 71-29). HOWEVER, if boring of the conduit/service lines or non-standard installation methods/materials are requested or required, then the customer shall pay all such additional costs of the City and other contractors required for such installation of the service line in addition to the tap fee. HOWEVER, applicant will furnish all wiring, installed to meet the latest standards of the National Electric Code (NEC NFPA 70) and the National Electric Safety Code (NISC ANSI C2) and requires all applicants for electric service to conform to these codes (a copy of this being on file in the City Utility Office). Contact the City Utility Department for additional installation requirements.

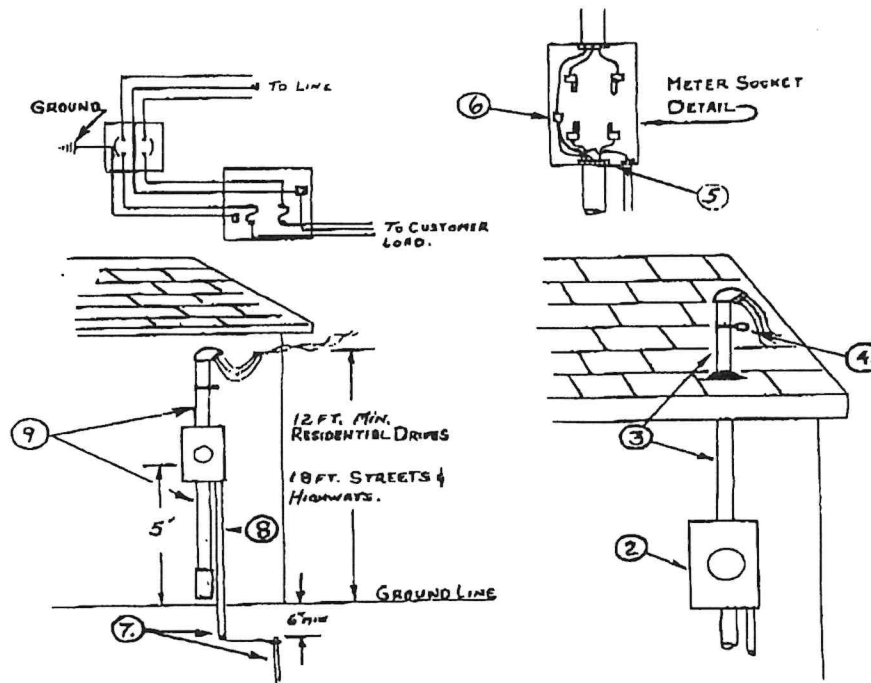
As an inducement for the City of Red Bud to accept this application, the applicant:

1. Agrees to pay for all electric used on said premises at the rates provided by the ordinances of the City.
2. Agrees to abide by all applicable ordinances, rules and regulations of the City, all of which are available at City Hall.
3. Hereby grants an easement over said premises in favor of the City of Red Bud, IL for the purpose of laying, maintaining, metering, repairing and replacing the electric line servicing the premises or the adjoining premises per drawing thereof on the reverse side of this application.
4. Specifications and meter socket shall be obtained from the Utility Department.

APPLICANT UNDERSTANDS AND AGREES THAT UPON INSTALLATION OF THE SERVICE BY THE CITY, THIS APPLICATION AND ALL OF ITS TERMS AND CONDITIONS CONSTITUTE A CONTRACT BY AND BETWEEN THE APPLICANT AND THE CITY OF RED BUD.

( ) Central Air	APPLICANT/OWNER _____
( ) Cooking	
( ) Water Heating	City of Red Bud
( ) Electric Heat	
( ) Heat Pump	By: _____

## OVERHEAD SERVICE 200 AMP – 1/0 – 3 WIRE – RESIDENTIAL



1. A permit must be obtained for any service, new or upgraded. Applications may be obtained at City Hall, 200 E. Market St., Red Bud, IL 62278.
2. Socket is furnished by the City and may be obtained at the Utility Office, 525 Power St., Red Bud, IL 62278. To be installed by customer.
3. Conduit size to be 2" galvanized for 200 amp service. Aluminum conduit can be used above ground only, but not above roof as part of mast. Neither can a coupling be installed in conduit above as a part of the mast.
4. Conduit extending through roof must have take-off insulator for attaching service wire.
5. Grounding bushings are required in meter socket and distribution panel.
6. Neutral wire may be one size smaller and must be continuous from entrance to panel.
7. Ground rod to be driven in undisturbed soil at least 6" below grade, and left open for inspection. Elbow to be run past overdig into undisturbed soil.
8. Ground wire to be protected with conduit or suitable guard.
9. Inquire at Utility Office as to location of meters and other information concerning installations not mentioned here.

### WIRE SIZES

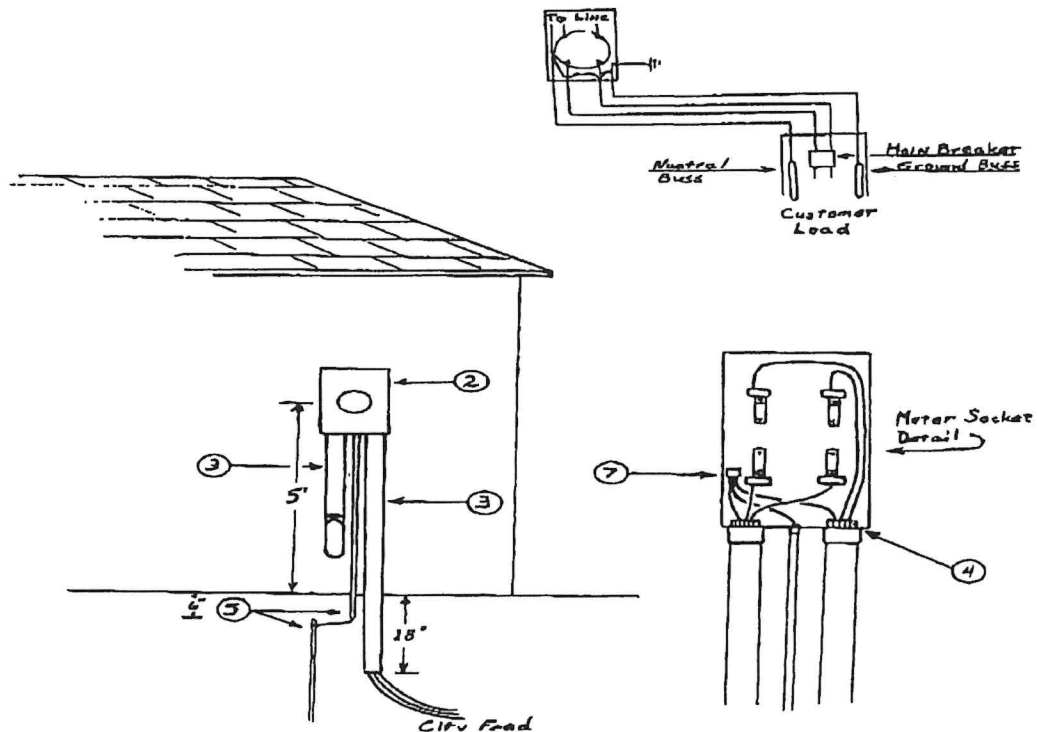
With no more than 3 conductors in raceway or conduit.

#### 200 AMP Service

Aluminum – 4/0 ground wire size  
 Copper – 3/0 #4 bare copper  
 Ground Rod Size  
 5/8" x 8' copperclad

## UNDERGROUND SERVICE

### 200 AMP – SINGLE PHASE – 3 WIRE – RESIDENTIAL



1. A permit must be obtained for any service, (new or upgraded). Applications may be obtained at City Hall, 200 E. Market St., Red Bud, IL 62278.
2. Socket is furnished by the City and may be obtained at the Utility Office, 525 Power St., Red Bud, IL 62278. This socket is to be installed by customer.
3. Conduit size to be **two (2) inch** galvanized or PVC for 200 amp services. Aluminum conduit can be used above ground only. Conduits shall be supported with hangers. This also is to be installed by the customer.
4. Grounding bushings are required in meter socket and distribution panel.
5. Ground rod to be driven in undisturbed soil at least **six (6) inches** below grade and left open for inspection.
6. Ground wire to be protected with conduit or suitable guard.
7. Inquire at Utility Office as to location of meters and other information.

### WIRE SIZES

With no more than 3 conductors in raceway or conduit.

#### 200 AMP Service

Aluminum – 4/0

Copper – 3/0

Ground Wire - #4 bare copper

Ground Rod Size - 5/8" x 8' copperclad